

5. VB-8/9000 Globe Valves Sizing and Selection

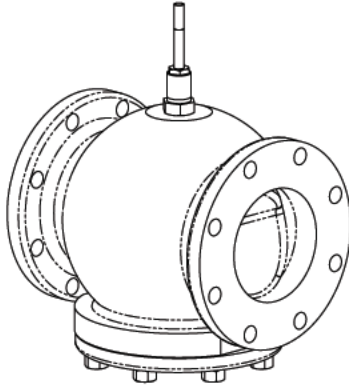
2 and 3-Way VB-8xx3 Flanged Valve Bodies

2-Way and 3-Way Valves

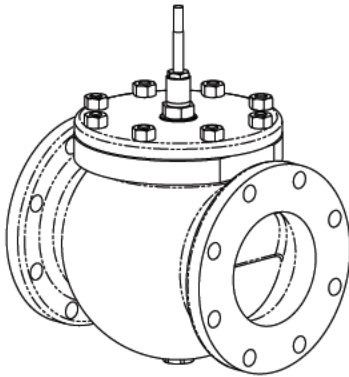
2-Way Stem Up Open or Stem Up Closed

3-Way Mixing/Diverting

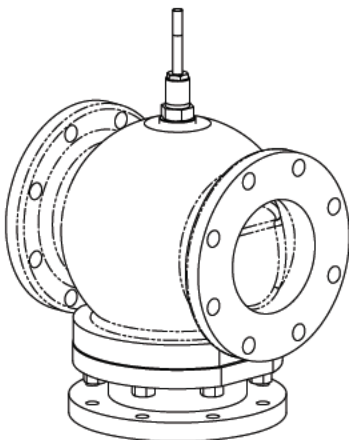
ASA 125 Flanged Cast Iron Body



VB-8213



VB-8223



VB-8303

Schneider Electric VB-8213, VB-8223, & VB-8303 Valve Bodies

Ports		2-Way Flanged		3-Way Flanged	
Application		Chilled or Hot Water, Steam ^l		Chilled or Hot Water ^l	
Size		2½" ... 6"		2½" ... 6"	
Valve Body Part Number		VB-8213-0-5-P		VB-8223-0-5-P	
Valve Body Action		2-Way Stem Up Open		2-Way Stem Up Closed	
Material	Flow Type	Equal %		Modifier Linear	
	Body	Cast Iron			
	Seat	Forged Brass			
	Stem	Stainless Steel			
	Plug	Forged Brass			
	Packing	Spring Loaded TFE/EPDM			
	Seat Ring	EPDM		None	
ANSI Pressure Class, psig		125 (up to 200 psig below 150°F)			
Maximum Inlet Pressure Steam psig (kPa)		35 psig (241 kPa)		-	
Allowable Control Media Temperature °F (°C) ^b		20°F...281°F (-7°C...138°C)			
Close-Off Pressure, psi (kPa)		125 psi (856 kPa) ^d		35 psi (241 kPa) ^c	
P Code	Valve Size, In.	Cv (kvs)		Cv (kvs) Mixing ^e	Cv (kvs) Diverting ^d
12	2½	56 (48)	56 (48)	80 (69)	95 (82) ^e 115 (99) ^f
13	3	85 (74)	85 (74)	110 (95)	120 (104) ^g
14	4	145 (125)	145 (125)	190 (164)	190 (164) ^h
15	5	240 (208)	240 (208)	290 (251)	290 (251) ^h
16	6	370 (320)	370 (320)	500 (433)	500 (433) ^h

- a - VB-8303 valves may be used as mixing or Diverting valves. VB-8303 valves will also operate sufficiently as 2-Way angle valves if either end (side) port is closed off.
- b - Freeze protection required for temperatures below 32°F (0 °C). Avoid ice formation on stems.
- c - Valve In closed position. See Specifications in following pages for maximum allowable VB-8xxx differential pressure for valve in any open position.
- d - Mixing configuration, ports A and B are inlets, port AB is outlet (located on bottom).
- e - Diverting configuration, port AB is Inlet, ports A and B are outlets. Port AB located on bottom.
- f - Diverting configuration, flow AB to A ports.
- g - Diverting configuration, flow AB to B ports.
- h - All Diverting flow configurations, flow AB to either A or B ports.
- i - Glycol up to 50%

VB-8000 3-Way Flow Patterns

